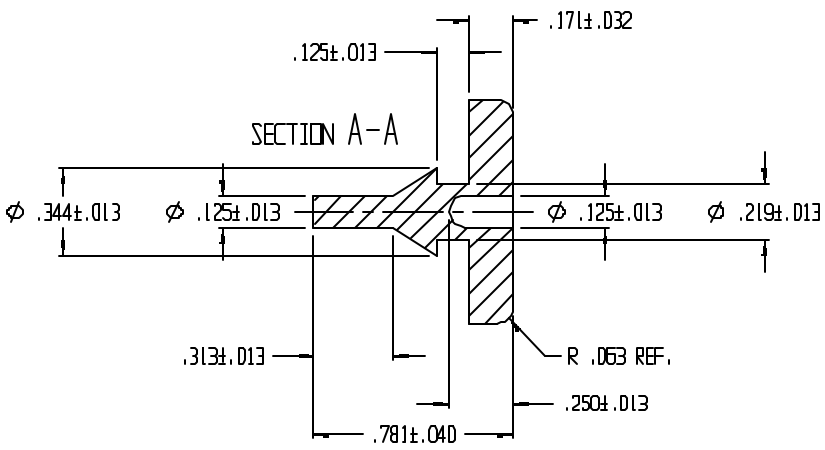
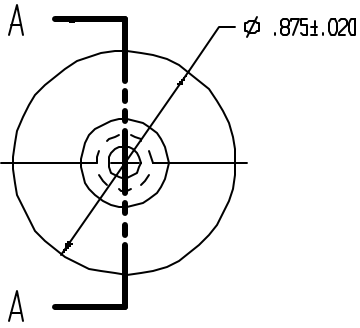


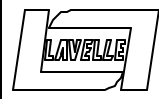
4 3 2 1

REVISIONS

REV.	ZONE	BY	DESCRIPTION	DATE	APPROVED
6		MAD	REVISED TOLERANCES	5/16/97	
7		MAD	ADDED REF. TO R.063 DIM.	4/1/98	



UNLESS OTHERWISE SPECIFIED
DIMENSIONS ARE IN INCHES
TOLERANCES ARE
DECIMALS MM ANGULAR



LAVELLE IND., INC.
665 MCHENRY ST. BURLINGTON, WISC. 53105
Ph. 414/763-2434 Fax 414/763-5607

TITLE
PLUG BUMPER

MATERIAL
F55004

SHEET OF
1 1

DRAWN
M A DEAN

DATE
1/17/93

SIZE B SCALE 2x PART NO. 14-10 REV. 7

CHECK

DATE

DESIGN

DATE

FILE
g:\codkey\parts\stock\plugbmpr\14-10.prt

4 3 4 2 1