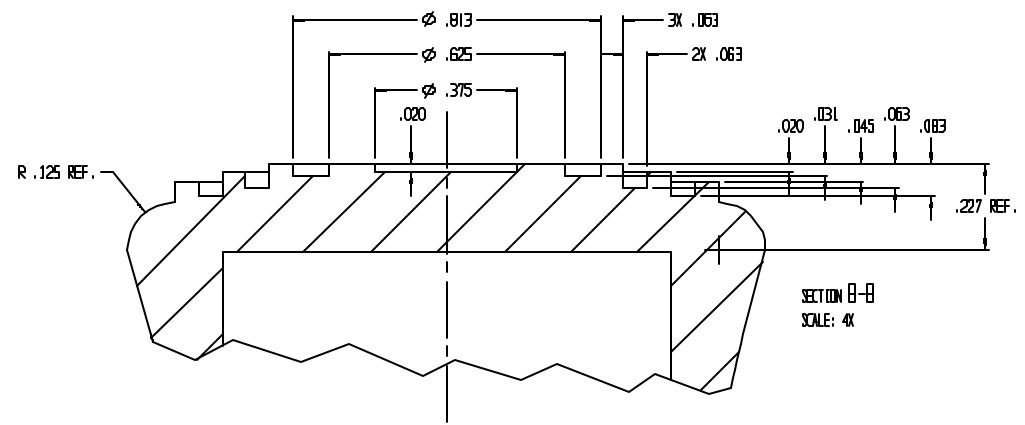
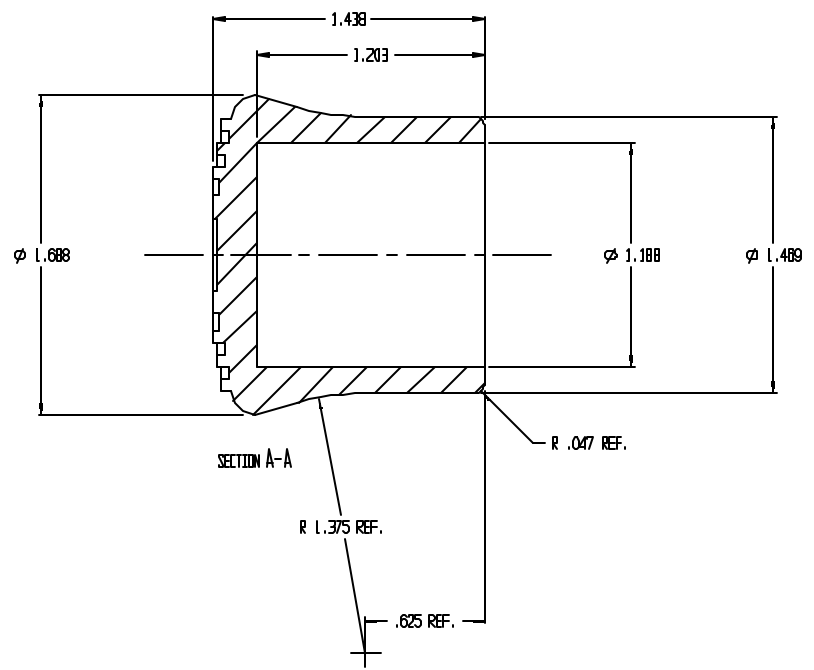
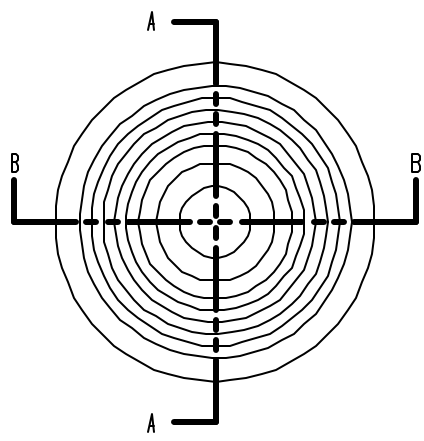


REVISIONS				DATE	APPROVER
REV.	DATE	BY	DESCRIPTION		
2		HAU	REMAIN TO LUKKY	3/23/98	



HUM TOLERANCES: AS CAST			
SIZE (INCHES)	ADVICE	DIM.	FINISH
0.00	0.40	2.513	2.532
0.40	0.43	.015	.020
0.83	1.00	.020	.040
1.00	1.50	.025	.040
1.50	2.00	.032	.050
2.50	4.00	.040	.050
4.00	8.00	.050	.050
8.00	& OVER		
MILITARY BY .008 .010			

MATERIAL SPECIFICATION		
TOLERANCES ARE	DECIMALS	ANGULAR
AS SHOWN		
FINISH		
DESIGN		

LAVELLE IND., INC.
 625 HENRY ST. BURLINGTON, WIS. 53105
 PH. 414/783-2634 FAX 414/783-3007

CRUTCH TIP

PROF. **F86201** SHEET **1** OF **1**

DATE **2/2/98** SCALE **2X** PART NO. **226** REV. **2**

PLC/PAT: <http://www.lavelle.com>