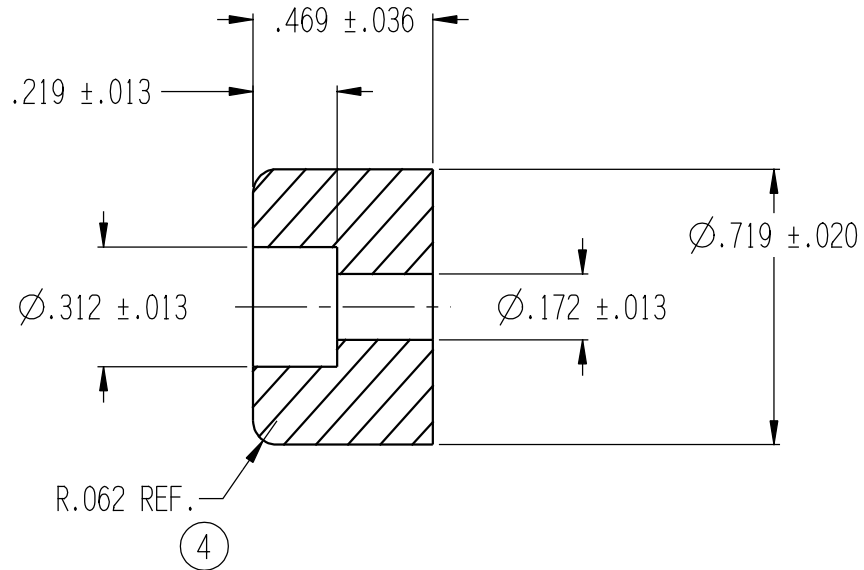
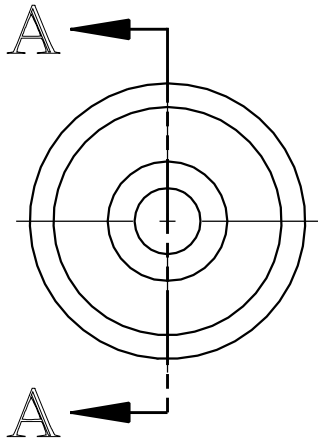
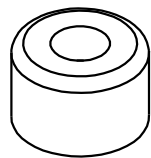


REVISION				
ECN	REV	DESCRIPTION	DATE	APPR
	3	REDRAWN TO CADKEY	06/04/97	
	4	R.062 REF. WAS R.062 ±.013	06/04/97	



SECTION A-A



SCALE 1:1
VOLUME: .17 CU. IN.

UNLESS OTHERWISE SPECIFIED		NAME	DATE	Lavelle Industries, Inc. TITLE RECESS BUMPER			
DIMENSIONS ARE IN INCHES		DRAWN	MAD			03/20/96	
TOLERANCES:		CHECKED					
FRACTION ±1/64		ENG APPR					
ANGULAR: ±0.5°		MFG APPR			SIZE	DWG. NO.	REV
TWO PLACE DECIMAL: ±.01		PROPRIETARY AND CONFIDENTIAL THE INFORMATION CONTAINED IN THIS DRAWING IS THE SOLE PROPERTY OF LAVELLE INDUSTRIES, INC. ANY REPRODUCTION IN PART OR AS A WHOLE WITHOUT THE WRITTEN PERMISSION OF LAVELLE INDUSTRIES, INC. IS PROHIBITED.			A	747R	4
THREE PLACE DECIMAL: ±.005					SCALE: 2.000	WEIGHT:	SHEET 1 OF 1
INTERPRET GEOMETRIC TOLERANCING PER:	MATERIAL						
F57006							
DO NOT SCALE DRAWING							

FILE PATH: N:\CAD\PARTS\STOCK\RECSBPR\747R\747R.ctd