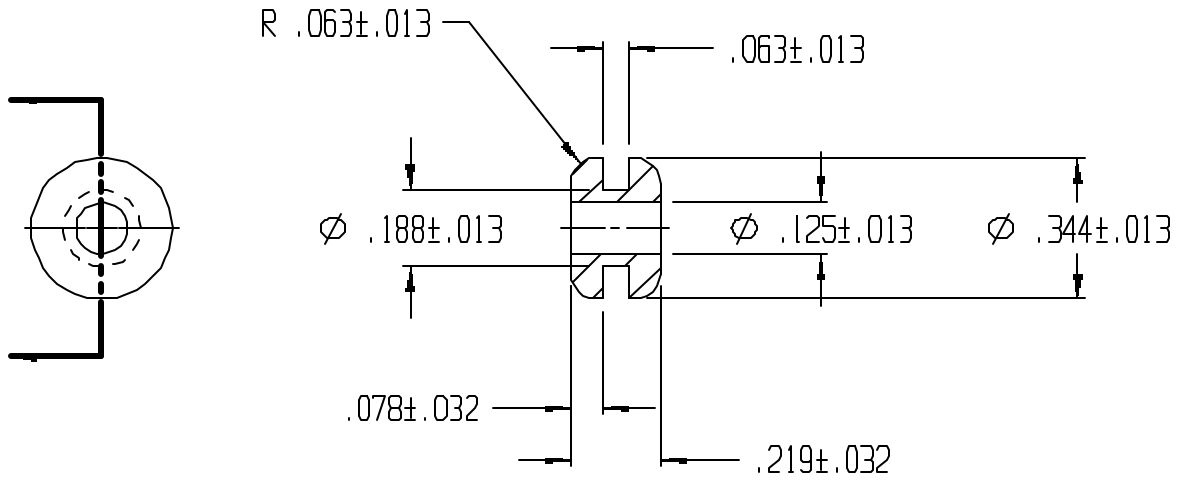


REVISIONS					
REV.	ZONE	BY	DESCRIPTION	DATE	APPROVED
3		MAD	REDRAWN TO CADKEY	10/31/97	



UNLESS OTHERWISE SPECIFIED DIMENSIONS ARE IN INCHES		LAVELLE		LAVELLE IND., INC.	
TOLERANCES ARE		665 McHENRY St.		BURLINGTON, WISC. 53105	
DECIMALS	MM	ANGULAR	Ph. 414/763-2434		Fax 414/763-5607
DRAWN M A DEAN		DATE 11/6/92		TITLE GROMMET	
CHECK		DATE		MATERIAL F55004	
DESIGN		DATE		PART NO. 9011	
		FILE g:\cadkey\parts\stock\grommets\9011.prt		SHEET OF 1 1	
		SIZE A		SCALE 2X	
		REV. 3			