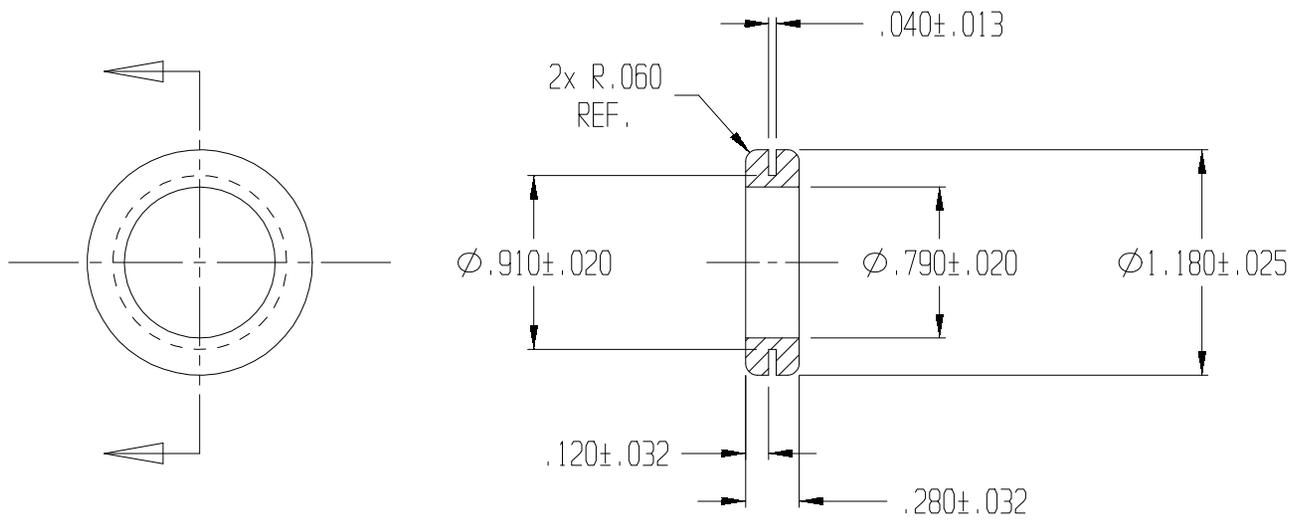


REVISIONS					
REV.	ZONE	BY	DESCRIPTION	DATE	APPROVED
2		MAD	REDRAWN TO CADKEY	09/17/01	



UNLESS OTHERWISE SPECIFIED DIMENSIONS ARE IN INCHES		TOLERANCES ARE DECIMALS MM ANGULAR		 LAVELLE IND., INC. 665 McHENRY St. BURLINGTON, WISC. 53105	
DRAWN M A DEAN		DATE 1/17/97		TITLE GROMMET	
CHECK		DATE		MATERIAL F55004	
DESIGN		DATE		SHEET OF 1 1	
				PART NO. 9400	
				REV. 2	
				FILE PATH g:\cadkey\parts\stock\grommet\9400.prt	