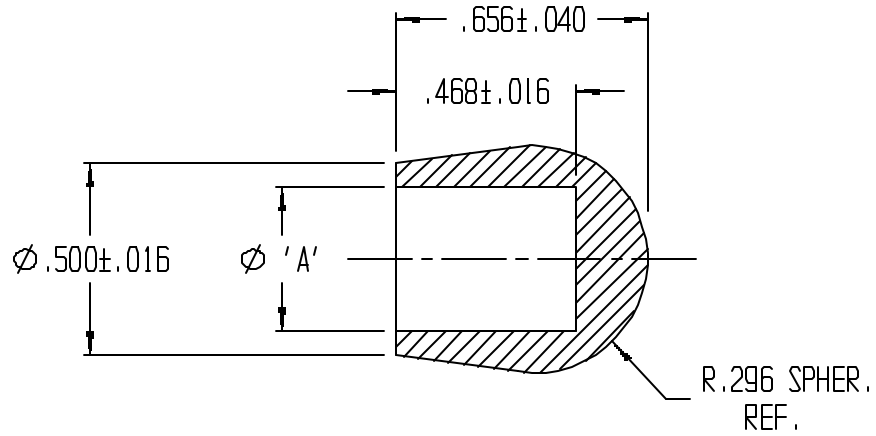
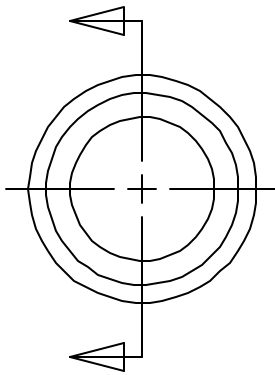


REVISIONS					
REV.	ZONE	BY	DESCRIPTION	DATE	APPROVED
3		MAD	REDRAWN TO CADKEY	11/16/00	



T40	.312	±.013
T39	.375	±.013
PART No.	'A' DIA.	TOL.

UNLESS OTHERWISE SPECIFIED
DIMENSIONS ARE IN INCHES
TOLERANCES ARE
DECIMALS .001 ANGLULAR



LAVELLE IND., INC.
665 McHENRY St. BURLINGTON, WISC. 53105
Ph. 262/763-2434 Fax 262/763-5807

TITLE TIP - RUBBER

MATERIAL F56010 SHEET 1 OF 1

DRAWN M A DEAN DATE 11/4/92

SIZE A SCALE 2x PART NO. SEE LIST REV. 3

CHECK DATE

DESIGN DATE

FILE PATH g:\cadkey\parts\stock\tips\T39-40.prt