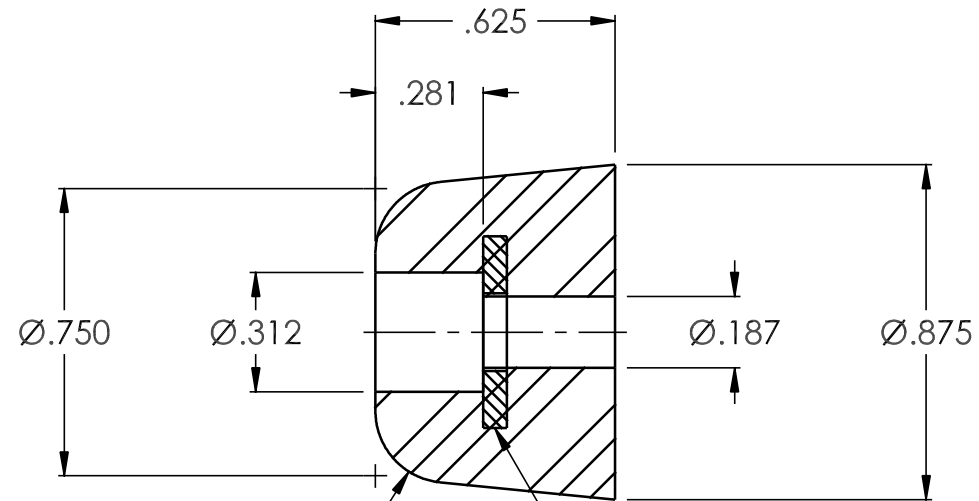
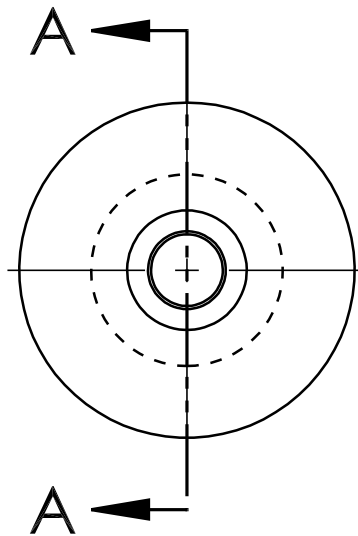


SCALE 1:1
VOLUME: .28 CI

REVISION				
ECN	REV	DESCRIPTION	DATE	APPR
	2	CLASS A4 BASIC WAS A3 COMMERCIAL	05/08/97	
6967	3	WASHER WAS BUR734	06/09/15	



R.187 (REF.) — STEEL WASHER BUR732 ③

SECTION A-A

SCALE 2:1

NOTES:

- ② 1. ALL TOLERANCES PER RMA CLASS 'A4' BASIC

UNLESS OTHERWISE SPECIFIED DIMENSIONS ARE IN INCHES TOLERANCES: FRACTION ±1/64 ANGULAR: ±0.5° TWO PLACE DECIMAL: ±.01 THREE PLACE DECIMAL: ±.005	NAME	DATE	Lavelle Industries, Inc. TITLE RECESS BUMPER		
	DRAWN	MAD 03/19/96			
	CHECKED				
	ENG APPR				
INTERPRET GEOMETRIC TOLERANCING PER:	PROPRIETARY AND CONFIDENTIAL		SIZE	DWG. NO.	REV
MATERIAL	THE INFORMATION CONTAINED IN THIS DRAWING IS THE SOLE PROPERTY OF LAVELLE INDUSTRIES, INC. ANY REPRODUCTION IN PART OR AS A WHOLE WITHOUT THE WRITTEN PERMISSION OF LAVELLE INDUSTRIES, INC. IS PROHIBITED.		A	718RW	3
F57006			SCALE: 2.00	WEIGHT:	SHEET
DO NOT SCALE DRAWING					