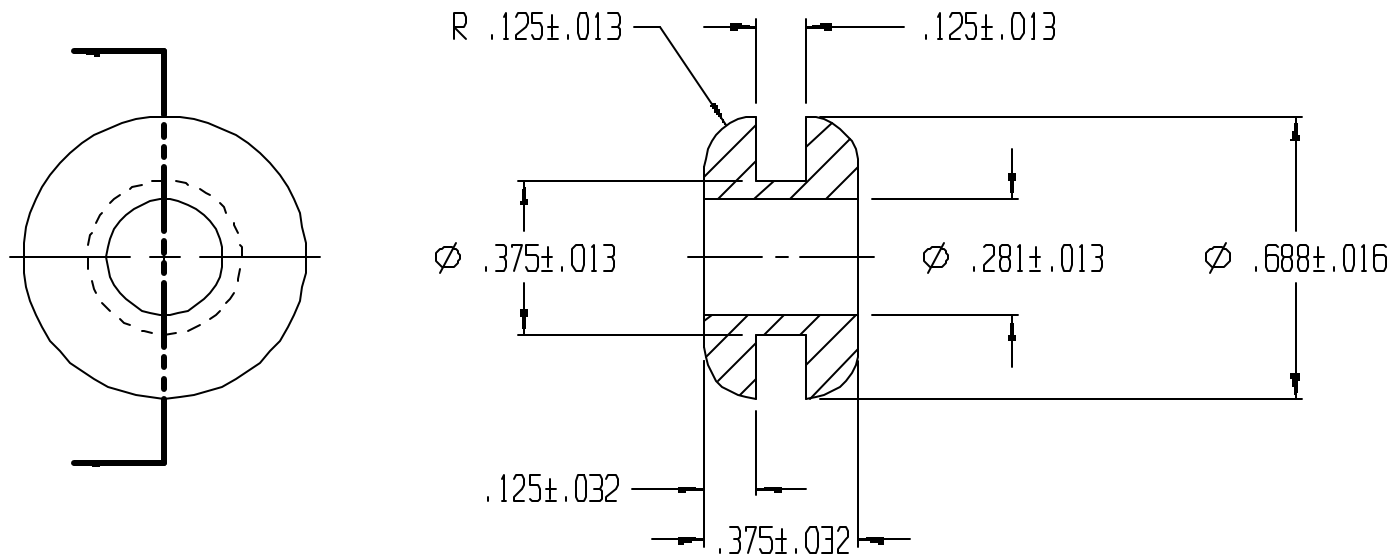


REVISIONS					
REV.	ZONE	BY	DESCRIPTION	DATE	APPROVED
3		MAD	REDRAWN TO CADKEY	10/31/97	



UNLESS OTHERWISE SPECIFIED DIMENSIONS ARE IN INCHES		LAVELLE		LAVELLE IND., INC.	
TOLERANCES ARE DECIMALS MM ANGULAR		665 McHENRY St.		BURLINGTON, WISC. 53105	
		Ph. 414/763-2434		Fax 414/763-5607	
TITLE GROMMET					
MATERIAL F55004				SHEET	OF
DRAWN M A DEAN		DATE 11/9/92		1	1
CHECK		DATE		SIZE A	SCALE 2X
DESIGN		DATE		PART NO. 90121	REV. 3
FILE g:\cadkey\parts\stock\grommets\90121.prt					