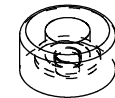
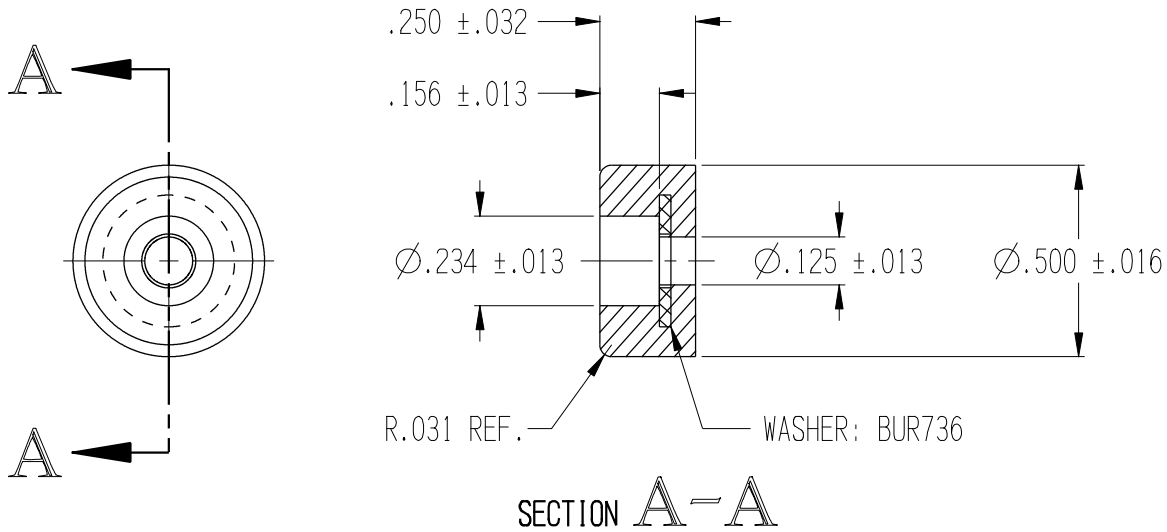


REVISION				
ECN	REV	DESCRIPTION	DATE	APPR
	3	REDRAWN TO CADKEY	01/08/99	
	4	REF. WAS ±.013	01/15/99	



SCALE 1:1
VOLUME: .041in³

UNLESS OTHERWISE SPECIFIED DIMENSIONS ARE IN INCHES TOLERANCES:	DRAWN	NAME	DATE	Lavelle Industries, Inc. TITLE
	CHECKED	MAD	08/28/95	
	ENG APPR			
	MFG APPR			
INTERPRET GEOMETRIC TOLERANCING PER:	PROPRIETARY AND CONFIDENTIAL			SIZE DWG. NO. REV A 705RW 4
MATERIAL	THE INFORMATION CONTAINED IN THIS DRAWING IS THE SOLE PROPERTY OF LAVELLE INDUSTRIES, INC. ANY REPRODUCTION IN PART OR AS A WHOLE WITHOUT THE WRITTEN PERMISSION OF LAVELLE INDUSTRIES, INC. IS PROHIBITED.			
F57006				
DO NOT SCALE DRAWING	SCALE: 2.000	WEIGHT:	SHEET 1 OF 1	